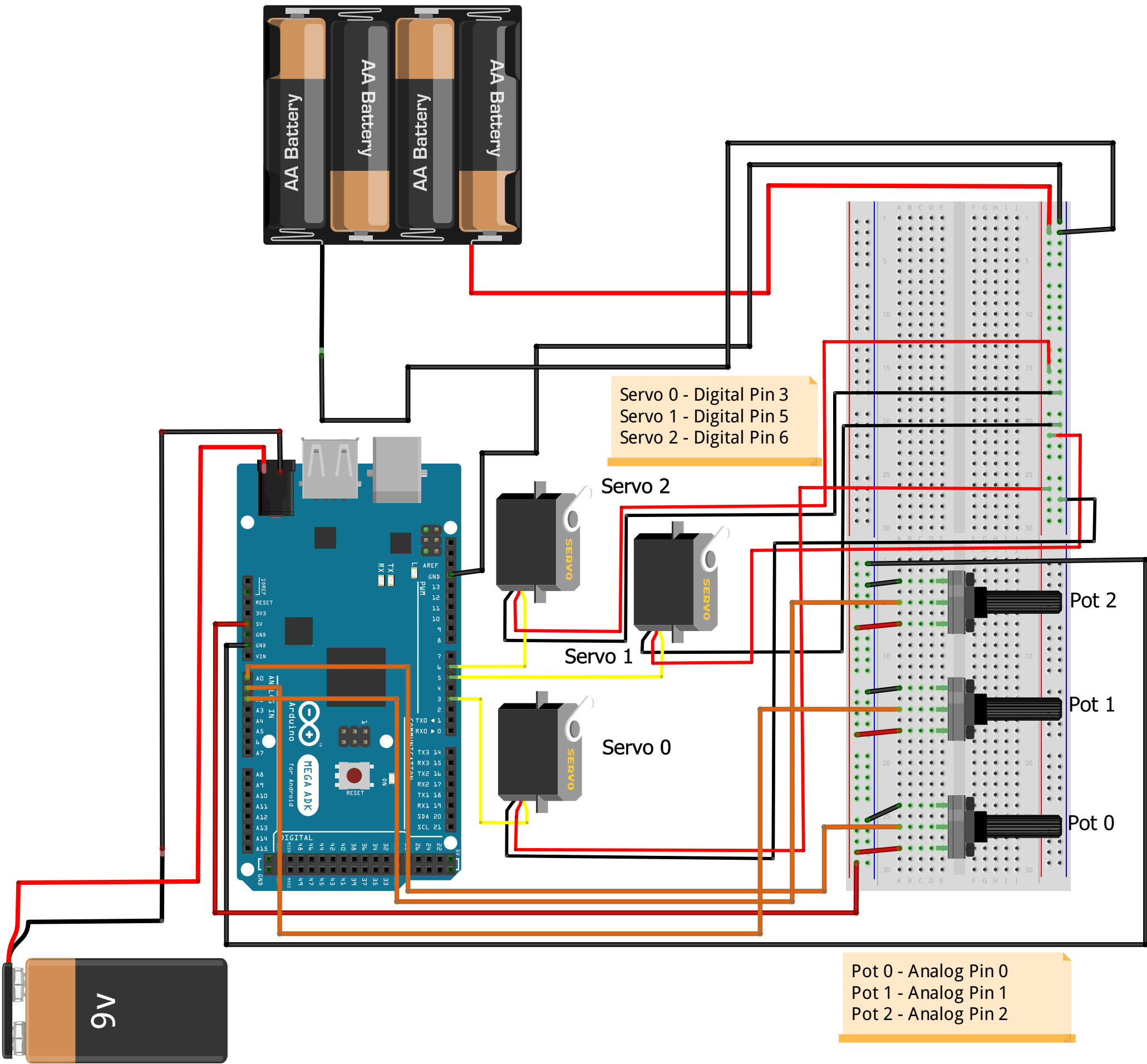


6V Power Supply for Servos and Pump (Best to Use a DC Bench Variable Power Supply)



Servo 0 - Digital Pin 3
Servo 1 - Digital Pin 5
Servo 2 - Digital Pin 6

Pot 0 - Analog Pin 0
Pot 1 - Analog Pin 1
Pot 2 - Analog Pin 2

Power for Arduino Mega
9V